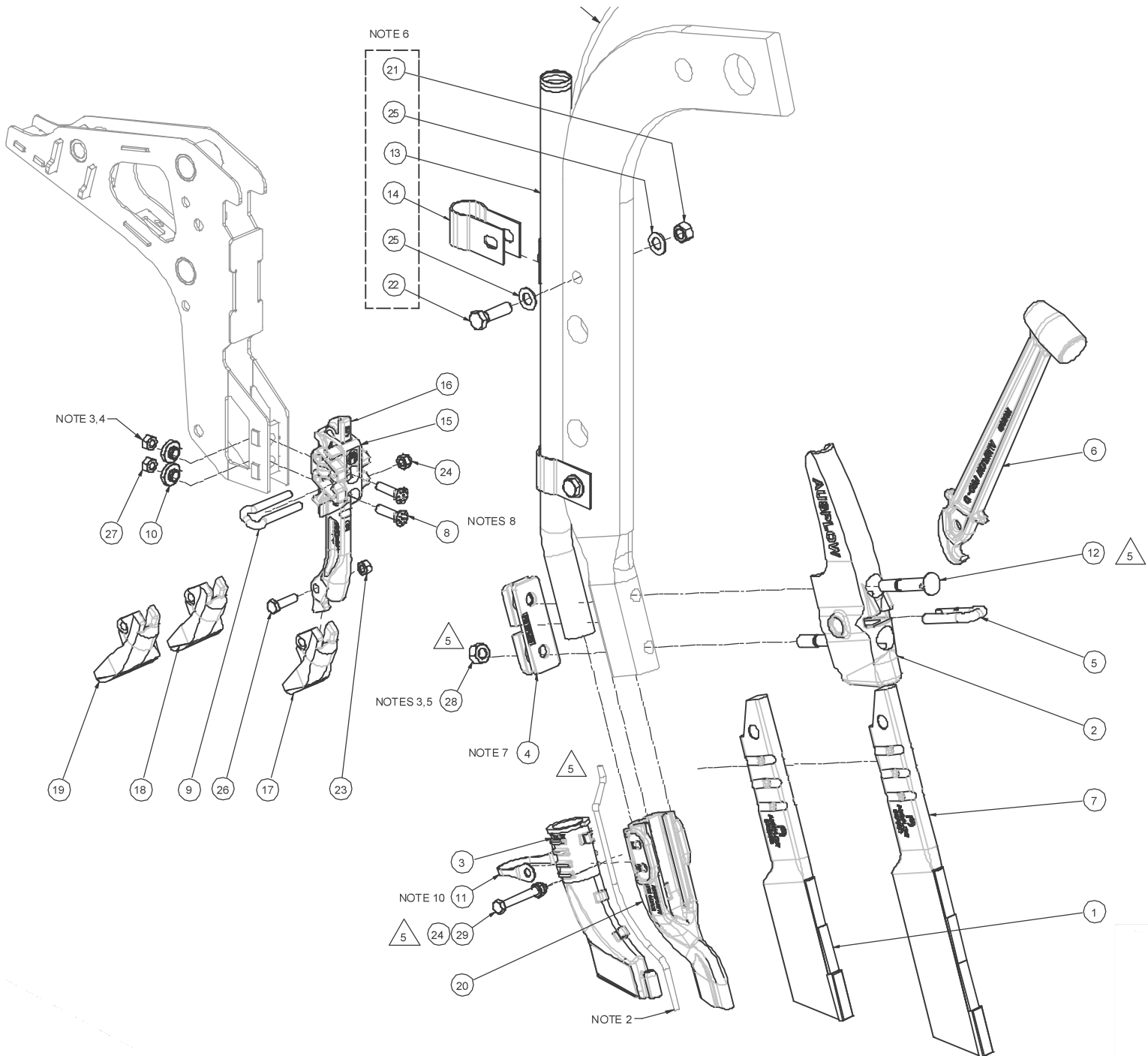


2.4 PRO-D Assembly Parts (27057)



NOTES:

1. GREY LINES ARE REFERENCE ONLY.
2. PART OF LIQUID KIT AS CUT FROM 6mm TUBE.
3. USE THREAD LOCKING COMPOUND.
4. 3/8 INCH TIGHTEN TO 40-45 lb.ft (54-61 Nm).
5. 1/2 INCH TIGHTEN TO 100-110 lb.ft (135-149 Nm).
6. V2.0 TINE ADDITIONAL COMPONENTS REQUIRED.
7. OPTIONAL WASHER IF NOT USING FERT SHEILD.
8. SAFETY FASTENERS
9. FOR ASSEMBLY INSTRUCTIONS SEE AUSPLOW.COM.AU.
10. FIT RETAINING STRAP AND FORM BY HAND.

Pro-D Assembly Parts

Item #	Qty	Part #	Description
1	1	26992	PRO-D BLADE 5-7
2	1	26995	BLADE ADAPTOR
3	1	27014	PRO-D FERTILISER BOOT
4	1	27018	PRO-D FERTILISER SHIELD ADAPTOR
5	1	27055	PRO-D RETAINING PIN 10mm
6	1	27056	PRO-D REMOVAL TOOL
7	1	27059	PRO_D BLADE 7-9
8	2	27101	BOLT PLOW $\frac{3}{8}$ " x 1.375" 16 UNC ALLOY
9	1	27136	RETAINING PIN 8mm
9&24	1	13332	RETAINING PIN KIT c/w NUT
10	2	27148	WASHER CLOSING TOOL PRO-D
11	1	27520	FERTILISER BOOT RETAINING STRAP
12	2	27914	$\frac{1}{2}$ " UNF x 3 $\frac{1}{8}$ " NIB BOLT
12&28	2	05258	BOLT SET $\frac{1}{2}$ " UNF NIB PRO-D
13	1	11367	FERTILISER TUBE 32mm OD SS
14	2	11369	CLAMP FERTILISER TUBE 32mm
15	1	15780	CLOSING TOOL ADAPTOR PRO-D
16	1	15787	CLOSING TOOL STEM PRO-D
17	1	15788	CLOSING TOOL TIP 30mm PRO-D
18	1	15789	CLOSING TOOL TIP 45mm PRO-D
19	1	15790	CLOSING TOOL TIP 60mm PRO-D
20	1	15794	FERTILISER SHIELD PRO-D
21	2	09009	NUT M12 Conelock
22	2	09011	BOLT M12 x 40mm
23	1	09019	NUT M8 - Conelock
24	1	09080	NUT M8 - Nylock
25	4	09108	WASHER FLAT M12 SS
26	1	09485	BOLT M8 x 30mm
27	2	09764	NUT $\frac{3}{8}$ " 16 UNC - Conelock
28	2	09812	NUT $\frac{1}{2}$ " UNF Conelock
29	1	09999	BOLT M8 x 65mm